

MST

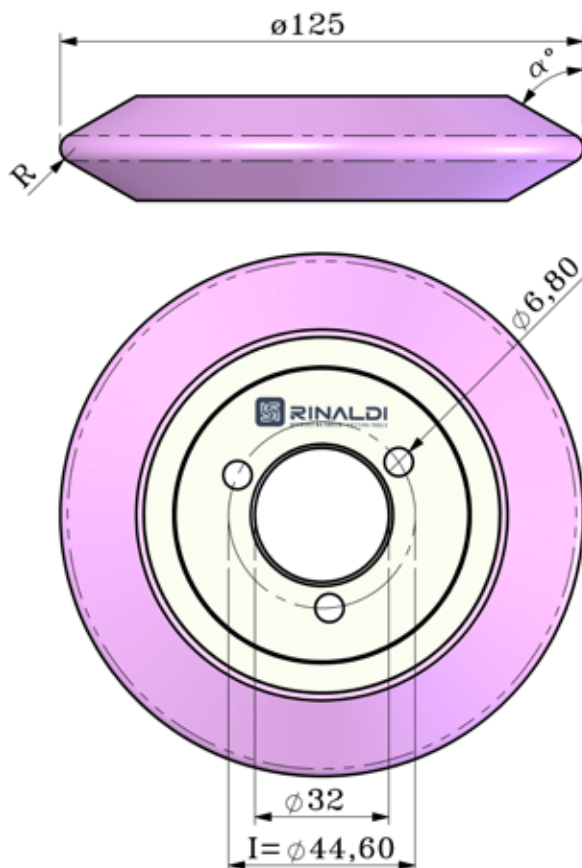
Mole sagomate per sgorbie triangolari

Grinding wheels for triangular gouges
Schleifscheiben für Spitzstähle



Mole per affilatura sgorbie in HSS
Grinding wheels for gouges in HSS
Schleifscheiben für Hohleisen aus HSS

| CODICE | H | R | α |
|--------|---|---|----------|
| MST | | | |



Mole per affilatura sgorbie in TANTUNG
Grinding wheels for gouges in TANTUNG
Schleifscheiben für Hohleisen aus TANTUNG

| CODICE | H | R | α |
|--------|---|---|----------|
| MST | | | |



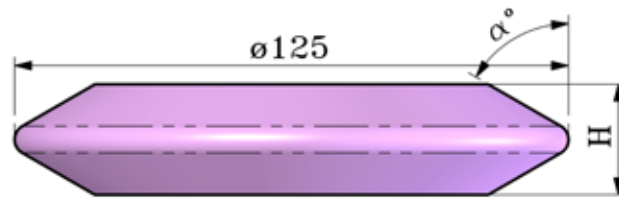
Specifiche da fornire:
Tipo di sgorbia da affilare, raggio,
materiale (HSS o TANTUNG)

Required specifications:
Type of gouges to grind, radius,
material (HSS or TANTUNG)

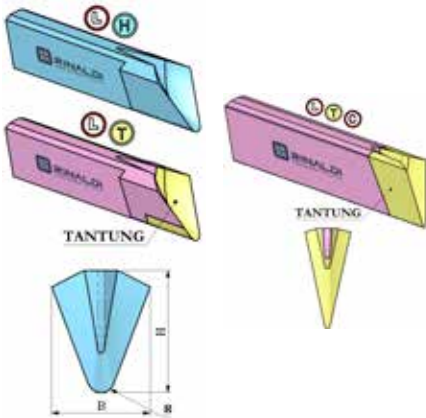
Erforderliche Angaben:
Typ von Drehwerkzeugen, Radius,
Material (HSS oder TANTUNG)

Mole sagomate per sgorbie triangolari

Grinding wheels for triangular gouges
Schleifscheiben für Spitzstähle

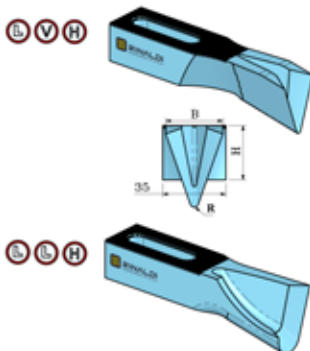


Mole per sgorbie "LOCATELLI" art. 111



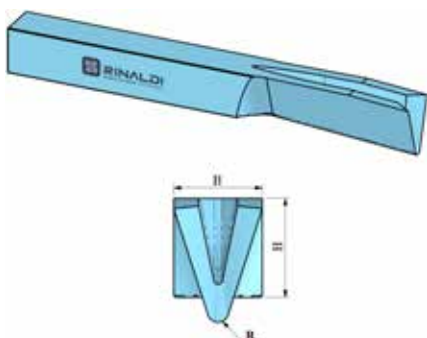
| CODICE MOLA | CODICE SGORBIA | Materiale Sgorbia | R Sgorbia | α° | H |
|-------------|----------------|-------------------|-----------|----------------|----|
| MST-A401906 | 111-8-06LH | HSS-Co | 0.6 | 40 | 19 |
| MST-A401906 | 111-8-06LT | Tantung | 0.6 | 40 | 19 |
| MST-A401906 | 111-8-06LTC | Tantung | 0.6 | 40 | 19 |
| MST-A401910 | 111-8-10LH | HSS-Co | 1 | 40 | 19 |
| MST-A401910 | 111-8-10LT | Tantung | 1 | 40 | 19 |
| MST-A401910 | 111-8-10LTC | Tantung | 1 | 40 | 19 |
| MST-A433040 | 111-9-40LH | HSS-Co | 4 | 43 | 30 |
| MST-A433040 | 111-9-40LT | Tantung | 4 | 43 | 30 |
| MST-A433575 | 111-10-75LH | HSS-Co | 7.5 | 43 | 35 |
| MST-B433575 | 111-10-75LT | Tantung | 7.5 | 43 | 35 |
| MST-A433712 | 111-11-12LH | HSS-Co | 12 | 43 | 37 |

Mole per sgorbie "LOCATELLI" art. 113



| CODICE MOLA | CODICE SGORBIA | Materiale Sgorbia | R Sgorbia | α° | H |
|-------------|----------------|-------------------|-----------|----------------|----|
| MST-A402206 | 113-1-06LVH | HSS-Co | 0.6 | 40 | 22 |
| MST-A433240 | 113-2-40LVH | HSS-Co | 4 | 43 | 32 |
| MST-A503878 | 113-4-78LVH | HSS-Co | 7.8 | 50 | 38 |

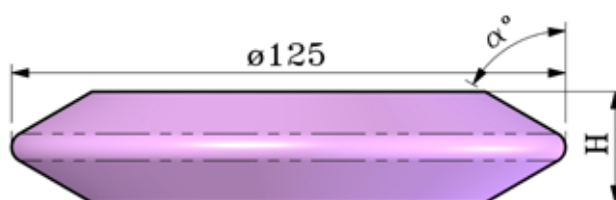
Mole per sgorbie "LOCATELLI" art. SOK



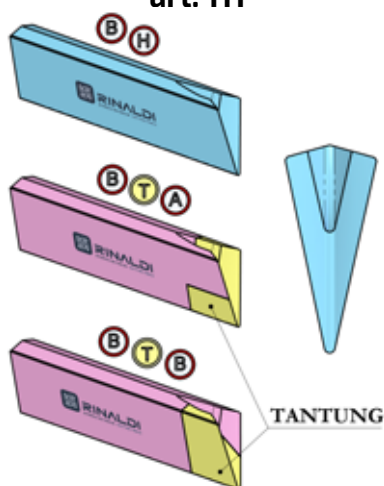
| CODICE MOLA | CODICE SGORBIA | Materiale Sgorbia | R Sgorbia | α° | H |
|-------------|----------------|-------------------|-----------|----------------|----|
| MST-A532405 | SOK-1-005H | HSS-Co | 0.5 | 53 | 24 |
| MST-A532415 | SOK-1-015H | HSS-Co | 1.5 | 53 | 24 |
| MST-A532425 | SOK-1-025H | HSS-Co | 2.5 | 53 | 24 |
| MST-A503040 | SOK-1-040H | HSS-Co | 4 | 50 | 30 |
| MST-A503575 | SOK-1-075H | HSS-Co | 7.5 | 50 | 35 |

Mole sagomate per sgorbie triangolari

Grinding wheels for triangular gouges
Schleifscheiben für Spitzstähle

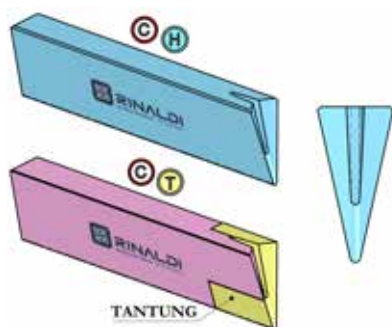


Mole per sgorbie "BOULLY" art. 111



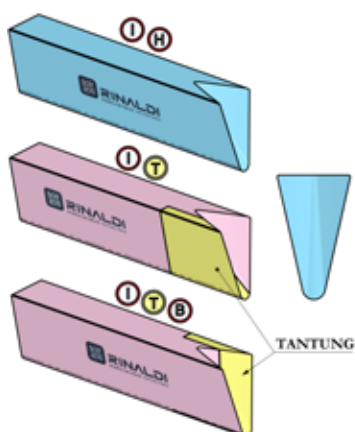
| CODICE MOLA | CODICE SGORBIA | Materiale Sgorbia | R Sgorbia | α° | H |
|-------------|----------------|-------------------|-----------|----------------|----|
| MST-A511806 | 111-12-06BH | HSS-Co | 0.6 | 51 | 18 |
| MST-A511806 | 111-12-06BTA | Tantung | 0.6 | 51 | 18 |
| MST-A511806 | 111-12-06BTB | Tantung | 0.6 | 51 | 18 |
| MST-A511810 | 111-12-10BTA | Tantung | 1 | 51 | 18 |
| MST-A511810 | 111-12-10BTB | Tantung | 1 | 51 | 18 |
| MST-A511820 | 111-12-20BH | HSS-Co | 2 | 51 | 18 |

Mole per sgorbie "CENTAURO" art. 111



| CODICE MOLA | CODICE SGORBIA | Materiale Sgorbia | R Sgorbia | α° | H |
|-------------|----------------|-------------------|-----------|----------------|----|
| MST-A601806 | 111-3-06CH | HSS-Co | 0.6 | 60 | 18 |
| MST-A531806 | 111-3-06CT | Tantung | 0.6 | 53 | 18 |
| MST-A601812 | 111-3-121CH | HSS-Co | 1.2 | 60 | 18 |
| MST-A531812 | 111-3-121CT | Tantung | 1.2 | 53 | 18 |
| MST-A601812 | 111-3-12CH | HSS-Co | 1.2 | 60 | 18 |
| MST-A531812 | 111-3-12CT | Tantung | 1.2 | 53 | 18 |
| MST-A552335 | 111-4-35CH | HSS-Co | 3.5 | 55 | 23 |
| MST-A502335 | 111-4-35CT | Tantung | 3.5 | 50 | 23 |

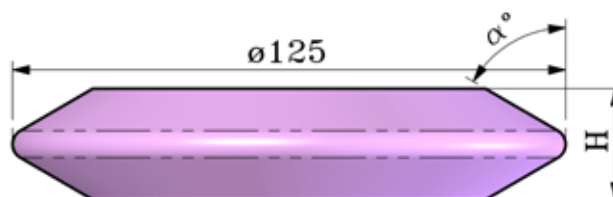
Mole per sgorbie "INTOREX" art. 111



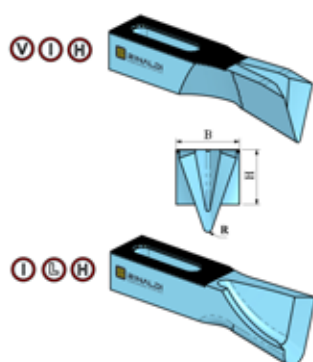
| CODICE MOLA | CODICE SGORBIA | Materiale Sgorbia | R Sgorbia | α° | H |
|-------------|----------------|-------------------|-----------|----------------|----|
| MST-A501805 | 111-11-05ITB | Tantung | 0.5 | 50 | 18 |
| MST-A601806 | 111-11-06IH | HSS-Co | 0.6 | 60 | 18 |
| MST-A531806 | 111-11-06IT | Tantung | 0.6 | 53 | 18 |
| MST-A602012 | 111-11-12IH | HSS-Co | 1.2 | 60 | 20 |
| MST-A532012 | 111-11-12IT | Tantung | 1.2 | 53 | 20 |
| MST-A602015 | 111-11-15IH | HSS-Co | 1.5 | 60 | 20 |
| MST-A532015 | 111-11-15IT | Tantung | 1.5 | 53 | 20 |
| MST-A552535 | 111-11-35IH | HSS-Co | 3.5 | 55 | 25 |
| MST-A502535 | 111-11-35IT | Tantung | 3.5 | 50 | 25 |

Mole sagomate per sgorbie triangolari

Grinding wheels for triangular gouges
Schleifscheiben für Spitzstähle

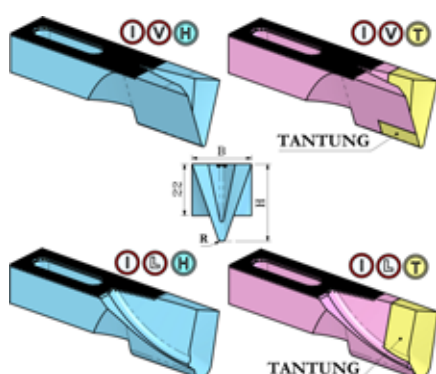


Mole per sgorbie "INTOREX" art. 113



| CODICE MOLA | CODICE SGORBIA | Materiale Sgorbia | R Sgorbia | α° | H |
|-------------|----------------|-------------------|-----------|----------------|----|
| MST-A513505 | 113-1-05IVH | HSS-Co | 0.5 | 51 | 35 |
| MST-A513520 | 113-2-20IVH | HSS-Co | 2 | 51 | 35 |
| MST-A483540 | 113-2-40IVH | HSS-Co | 4 | 48 | 35 |
| MST-A513860 | 113-3-60IVH | HSS-Co | 6 | 51 | 38 |

Mole per sgorbie "INTOREX" art. 113



| CODICE MOLA | CODICE SGORBIA | Materiale Sgorbia | R Sgorbia | α° | H |
|-------------|----------------|-------------------|-----------|----------------|----|
| MST-A532605 | 113-D-05IVH | HSS-Co | 0.5 | 53 | 26 |
| MST-A492605 | 113-D-05IVT | Tantung | 0.5 | 49 | 26 |
| MST-A532610 | 113-D-10IVH | HSS-Co | 1 | 53 | 26 |
| MST-A492610 | 113-D-10IVT | Tantung | 1 | 49 | 26 |
| MST-A513320 | 113-D-20IVH | HSS-Co | 2 | 51 | 33 |
| MST-A493320 | 113-D-20IVT | Tantung | 2 | 49 | 33 |
| MST-A493340 | 113-D-40IVH | HSS-Co | 4 | 49 | 33 |
| MST-A493340 | 113-D-40IVT | Tantung | 4 | 49 | 33 |
| MST-A533360 | 113-D-60IVH | HSS-Co | 6 | 53 | 33 |
| MST-A493360 | 113-D-60IVT | Tantung | 6 | 49 | 33 |