

PER

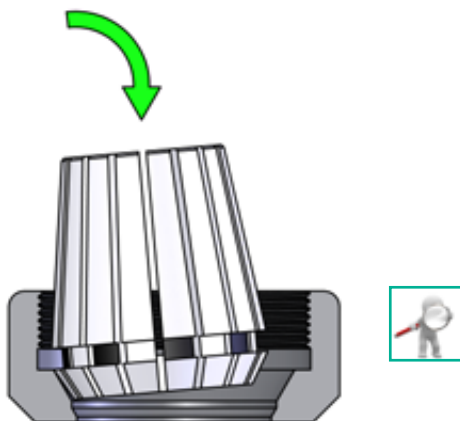
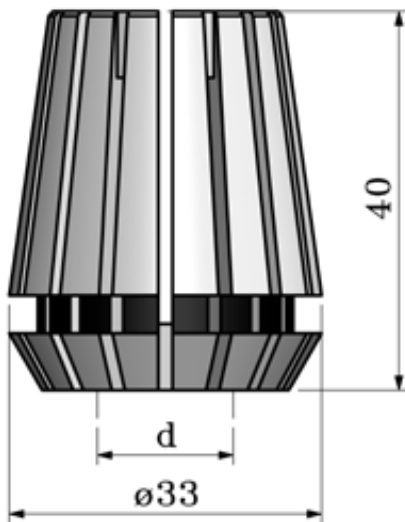
Pinze ER-32 DIN 6499

Collets ER-32 DIN 6499

Spannzangen ER-32 DIN 6499



ER 32 -DIN 6499



CODICE	d
PER32-020	$\varnothing 2 - 1$
PER32-030	$\varnothing 3 - 2$
PER32-032	$\varnothing 3.2 - (1/8")$
PER32-040	$\varnothing 4 - 3$
PER32-048	$\varnothing 4.8 - (3/16")$
PER32-050	$\varnothing 5 - 4$
PER32-060	$\varnothing 6 - 5$
PER32-064	$\varnothing 6.4 - (1/4")$
PER32-070	$\varnothing 7 - 6$
PER32-079	$\varnothing 7.9 - (5/16")$
PER32-080	$\varnothing 8 - 7$
PER32-090	$\varnothing 9 - 8$
PER32-095	$\varnothing 9.5 - (3/8")$
PER32-100	$\varnothing 10 - 9$
PER32-110	$\varnothing 11 - 10$
PER32-120	$\varnothing 12 - 11$
PER32-127	$\varnothing 12.7 - (1/2")$
PER32-130	$\varnothing 13 - 12$
PER32-140	$\varnothing 14 - 13$
PER32-150	$\varnothing 15 - 14$
PER32-159	$\varnothing 15.9 - (5/8")$
PER32-160	$\varnothing 16 - 15$
PER32-170	$\varnothing 17 - 16$
PER32-180	$\varnothing 18 - 17$
PER32-190	$\varnothing 19 - 18$
PER32-191	$\varnothing 19.1 - (3/4")$
PER32-200	$\varnothing 20 - 19$

- PRECISIONE = 0.01

PER

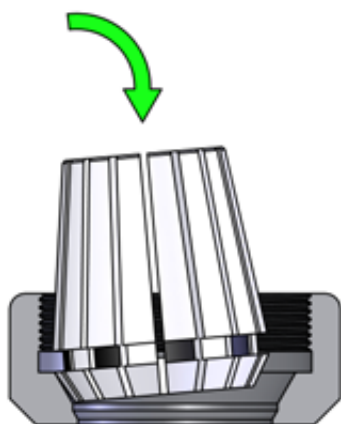
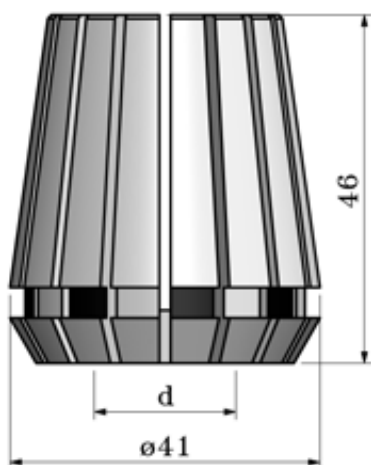
Pinze ER-40 DIN 6499

Collets ER-40 DIN 6499

Spannzangen ER-40 DIN 6499



ER 40 -DIN 6499



- PRECISIONE = 0.01

CODICE	d
PER40-030	ø 3 - 2
PER40-040	ø 4 - 2
PER40-048	ø 4.8 - (3/16")
PER40-050	ø 5 - 4
PER40-060	ø 6 - 5
PER40-064	ø 6.4 - (1/4")
PER40-070	ø 7 - 6
PER40-079	ø 7.9 - (5/16")
PER40-080	ø 8 - 7
PER40-090	ø 9 - 8
PER40-095	ø 9.5 - (3/8")
PER40-100	ø 10 - 9
PER40-110	ø 11 - 10
PER40-120	ø 12 - 11
PER40-127	ø 12.7 - (1/2")
PER40-130	ø 13 - 12
PER40-140	ø 14 - 13
PER40-150	ø 15 - 14
PER40-159	ø 15.9 - (5/8")
PER40-160	ø 16 - 15
PER40-170	ø 17 - 16
PER40-180	ø 18 - 17
PER40-190	ø 19 - 18
PER40-191	ø 19.1 - (3/4")
PER40-200	ø 20 - 19
PER40-210	ø 21 - 20
PER40-220	ø 22 - 21
PER40-230	ø 23 - 22
PER40-240	ø 24 - 23
PER40-250	ø 25 - 24
PER40-254	ø 25.4 - (1")
PER40-260	ø 26 - 25
PER40-300	ø 30 - 29

PER

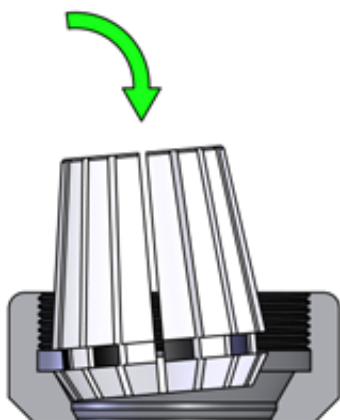
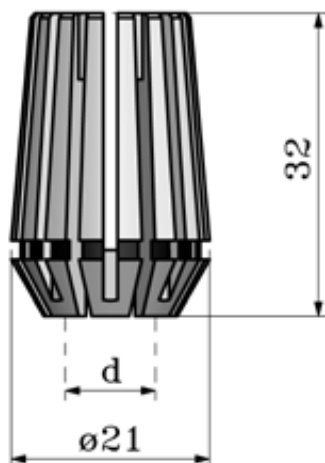
Pinze ER-20 DIN 6499

Collets ER-20 DIN 6499

Spannzangen ER-20 DIN 6499



ER 20 -DIN 6499



CODICE	d
PER20-030	$\varnothing 3 - 2$
PER20-032	$\varnothing 3.2 - (1/8")$
PER20-040	$\varnothing 4 - 3$
PER20-050	$\varnothing 5 - 4$
PER20-060	$\varnothing 6 - 5$
PER20-064	$\varnothing 6.4 - (1/4")$
PER20-080	$\varnothing 8 - 7$
PER20-090	$\varnothing 9 - 8$
PER20-095	$\varnothing 9.5 - (3/8")$
PER20-100	$\varnothing 10 - 9$
PER20-110	$\varnothing 11 - 10$
PER20-120	$\varnothing 12 - 11$
PER20-127	$\varnothing 12.7 - (1/2")$
PER20-130	$\varnothing 13 - 12$

- PRECISIONE = 0.01

PER

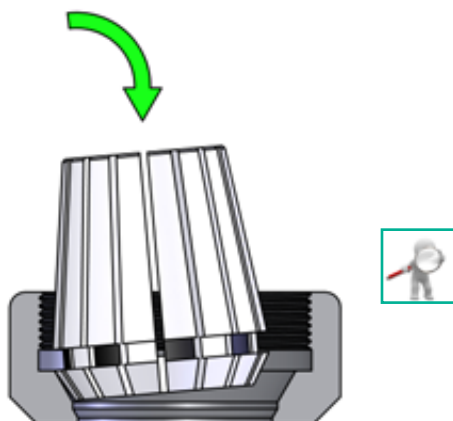
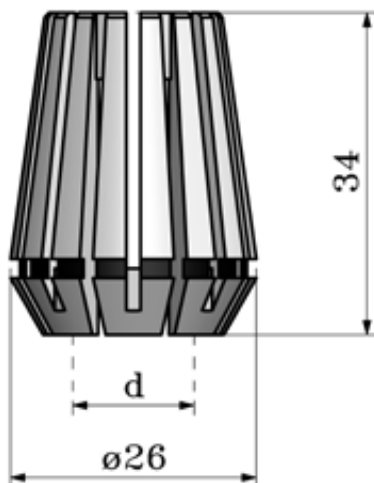
Pinze ER-25 DIN 6499

Collets ER-25 DIN 6499

Spannzangen ER-25 DIN 6499



ER 25 -DIN 6499



CODICE	d
PER25-030	$\varnothing 3 - 2$
PER25-032	$\varnothing 3.2 - (1/8")$
PER25-040	$\varnothing 4 - 3$
PER25-048	$\varnothing 4.8 - (3/16")$
PER25-050	$\varnothing 5 - 4$
PER25-060	$\varnothing 6 - 5$
PER25-064	$\varnothing 6.4 - (1/4")$
PER25-070	$\varnothing 7 - 6$
PER25-079	$\varnothing 7.9 - (5/16")$
PER25-080	$\varnothing 8 - 7$
PER25-090	$\varnothing 9 - 8$
PER25-095	$\varnothing 9.5 - (3/8")$
PER25-100	$\varnothing 10 - 9$
PER25-110	$\varnothing 11 - 10$
PER25-120	$\varnothing 12 - 11$
PER25-127	$\varnothing 12.7 - (1/2")$
PER25-130	$\varnothing 13 - 12$
PER25-140	$\varnothing 14 - 13$
PER25-159	$\varnothing 15.9 - (5/8")$
PER25-160	$\varnothing 16 - 15$

- PRECISIONE = 0.01