

AIS

Portautensili cono ISO-30

Collet chucks ISO-30

Spannzangenfutter ISO-30

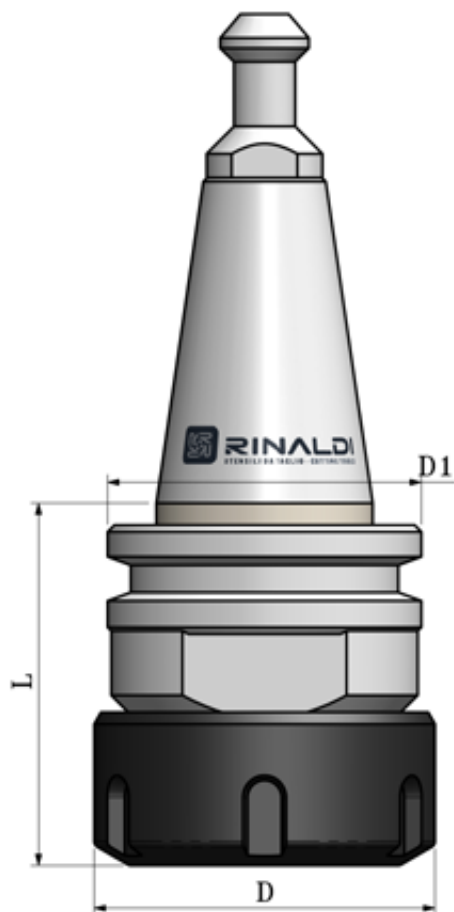


TIRANTE : ALBERTI - VITAP - MASTERWOOD (Motori G.Colombo) art. TIR-D-1224

CODICE	L	D	D1	Rot	Pinze	Ghiera	CONO
AIS-A-6850D	68	50	50	RH	ø2..ø20 (art. PER32 ER32)	art. GER32D ER32	ISO-30
AIS-A-6850C	68	50	50	RH	ø2..ø20 (art. PER32 ER32)	art. GER32CU (cuscinetto) ER32	ISO-30
AIS-A-6863D	68	63	50	RH	ø2..ø30 (art. PER40 ER40)	art. GER40D ER40	ISO-30
AIS-A-6863C	68	63	50	RH	ø2..ø30 (art. PER40 ER40)	art. GER40CU (cuscinetto) ER40	ISO-30

TIRANTE : BUSELLATO-WEEKE- IMA - BULLERI - MAKA - COSMEC - REINCHENBACHER art. TIR-B-1224

CODICE	L	D	D1	Rot	Pinze	Ghiera	CONO
AIS-W-6850D	68	50	50	RH	ø2..ø20 (art. PER32 ER32)	art. GER32D ER32	ISO-30
AIS-W-6850C	68	50	50	RH	ø2..ø20 (art. PER32 ER32)	art. GER32CU (cuscinetto) ER32	ISO-30



AIS

Portautensili cono ISO-30 con flangia dentata

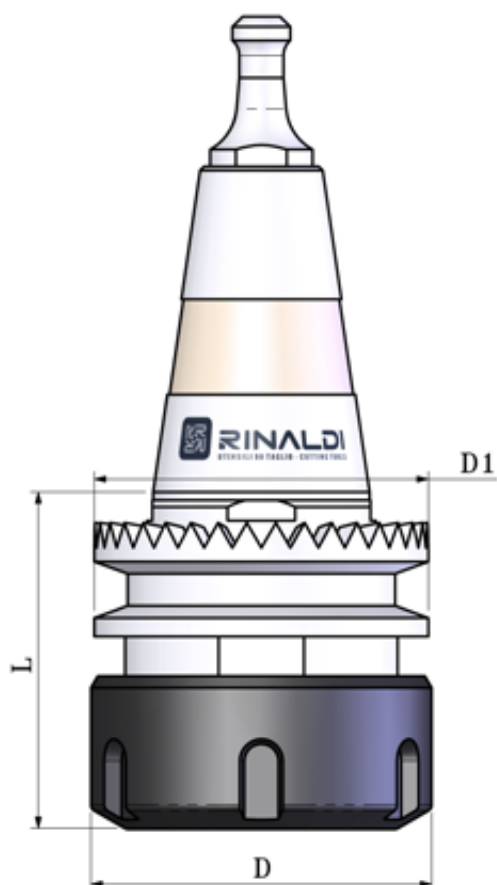
Collet chucks ISO-30 with serration

Spannzangenfutter ISO-30 mit Verzahnung



TIRANTE : MORBIDELLI - SCM art. TIR-A-1022

CODICE	L	D	D1	Rot	Pinze	Ghiera	CONO
AIS-M-5550D	55	50	49	RH	ø2..ø20 (art. PER32 ER32)	art. GER32D ER32	ISO-30
AIS-M-5550C	55	50	49	RH	ø2..ø20 (art. PER32 ER32)	art. GER32CU (cuscinetto) ER32	ISO-30

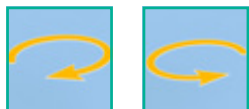


AIS

Portautensili cono ISO-30

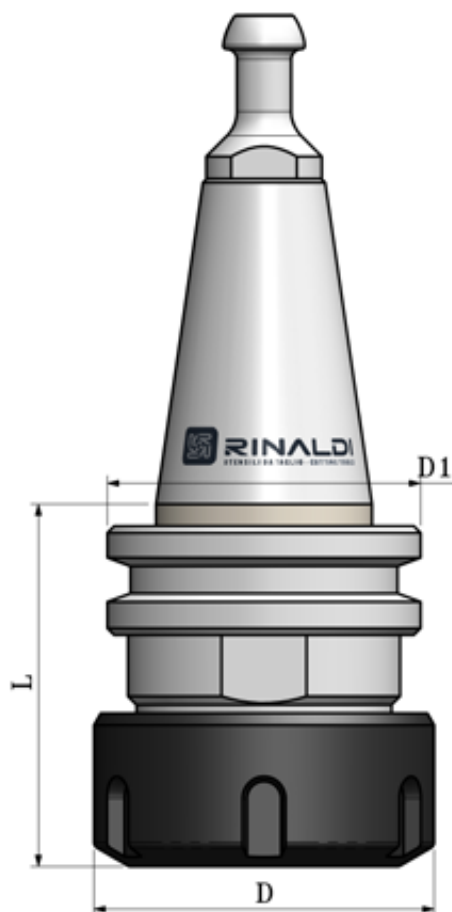
Collet chucks ISO-30

Spannzangenfutter ISO-30



TIRANTE : BIESSE (dopo il 09/09/92) - MASTERWOOD - BULLERI (motori H.S.D.) art. TIR-C-1224

CODICE	L	D	D1	Rot	Pinze	Ghiera	CONO
AIS-B-5050D	50	50	50	RH	ø2..ø20 (art. PER32 ER32)	art. GER32D ER32	ISO-30
AIS-B-5050S	50	50	50	LH	ø2..ø20 (art. PER32 ER32)	art. GER32S ER32	ISO-30
AIS-B-5050C	50	50	50	RH	ø2..ø20 (art. PER32 ER32)	art. GER32CU (cuscinetto) ER32	ISO-30
AIS-B-6063D	60	63	50	RH	ø2..ø30 (art. PER40 ER40)	art. GER40D ER40	ISO-30
AIS-B-6063S	60	63	50	LH	ø2..ø30 (art. PER40 ER40)	art. GER40S ER40	ISO-30
AIS-B-6063C	60	63	50	RH	ø2..ø30 (art. PER40 ER40)	art. GER40CU (cuscinetto) ER40	ISO-30



AIS

Portautensili cono ISO-30 tipo prolungato

Collet chucks ISO-30 long execution

Spannzangenfutter ISO-30 lange Ausführung



TIRANTE : BIESSE (dopo il 09/09/92) - MASTERWOOD - BULLERI (motori H.S.D.) art. TIR-C-1224

CODICE	L	D	D1	Rot	Pinze	Ghiera	CONO
AIS-P-6850D	68	50	50	RH	ø2..ø20 (art. PER32 ER32)	art. GER32D ER32	ISO-30
AIS-P-6850C	68	50	50	RH	ø2..ø20 (art. PER32 ER32)	art. GER32CU (cuscinetto) ER32	ISO-30

