

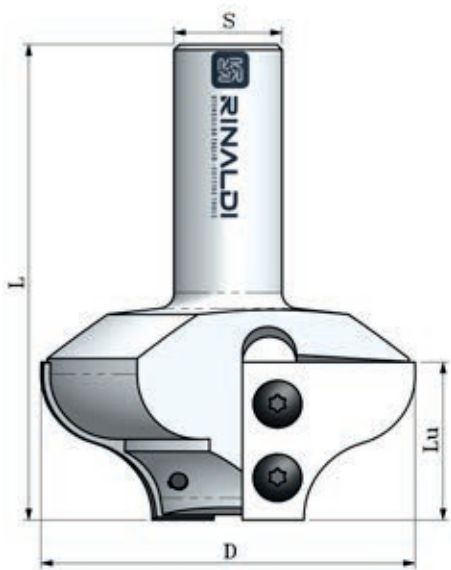
SGS

Frese ad inserti in HW intercambiabili sagomati

Milling cutters with shaped interchangeable knives in HW
Fräser mit profilierten HW-Wendepplatten



ON
REQUEST



CODICE	D	Lu	S	L
SGS	-	-	-	-

