

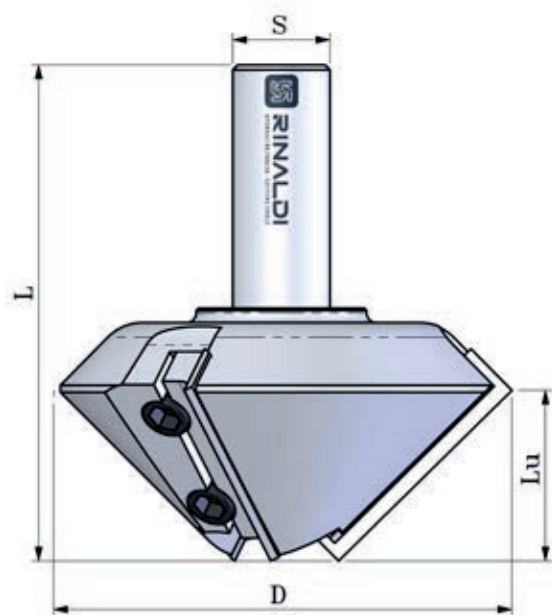
SGR

Frese ad inserti in HW intercambiabili

Milling cutters with interchangeable knives in HW
Fräser mit HW-Wendeplatten



ON
REQUEST



CODICE	D	Lu	S	L
SGR	-	-	-	-

