

POC

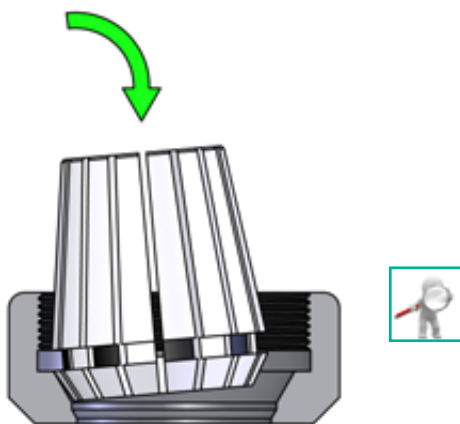
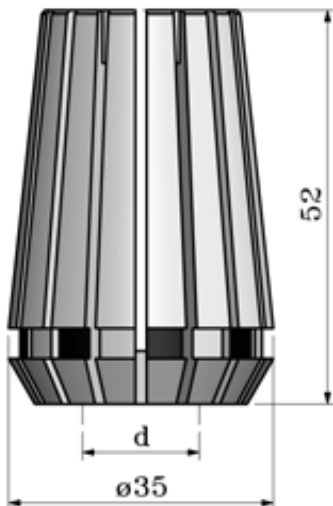
Pinze EOC-25 DIN 6388 (462 E)

Collets EOC-25 DIN 6388 (462E)

Spannzangen EOC-25 DIN 6388 (462E)



EOC25 -DIN 6388 (462E)



- PRECISIONE = 0.01

CODICE	d
POC25-020	$\varnothing 2 - 1.5$
POC25-030	$\varnothing 3 - 2.5$
POC25-040	$\varnothing 4 - 3.5$
POC25-050	$\varnothing 5 - 4.5$
POC25-060	$\varnothing 6 - 5.5$
POC25-064	$\varnothing 6.4 - (1/4")$
POC25-070	$\varnothing 7 - 6.5$
POC25-080	$\varnothing 8 - 7.5$
POC25-095	$\varnothing 9.5 - (3/8")$
POC25-100	$\varnothing 10 - 9.5$
POC25-110	$\varnothing 11 - 10.5$
POC25-120	$\varnothing 12 - 11.5$
POC25-130	$\varnothing 13 - 12.5 (1/2")$
POC25-140	$\varnothing 14 - 13.5$
POC25-159	$\varnothing 15.9 - (5/8")$
POC25-160	$\varnothing 16 - 15.5$
POC25-180	$\varnothing 18 - 17.5$
POC25-191	$\varnothing 19.1 - (3/4")$
POC25-200	$\varnothing 20 - 19.5$
POC25-220	$\varnothing 22 - 21.5$
POC25-250	$\varnothing 25 - 24.5$
POC25-254	$\varnothing 25.4 - (1")$